



A B S C I S S E

A complete range of sterilizable  
flush membrane  
**sampling cocks**

◆  
Long service life

◆  
Overall simplicity

◆  
Overall savings

◆  
Reliability



**REC** OR **RES**



THE BEST QUALITY/PRICE RATIO



## general

### Choice between REC and RES

Please refer to the last page for the REC and RES reference table.



Flame sterilizable



Sterilizing agent input



### Manufacturing

Parts in contact with the product : stainless steel and elastomer

- 316L stainless steel body
- Delrin knob and pusher (stainless steel optional)
- Silicone membrane (EPDM, Nitrile and Viton optional)

See flush membrane REV and REW in "Derivated concepts"



Ø 15



Ø 10



Ø 6

### Simplicity

- The cock consists of 6 components.
- All components can be dismantled without tooling.

### Safety

- Gland tightening is independent of the rotary hand-button.
- The rotary hand-button is free after complete unscrewing.
- Therefore unscrewing of the rotary hand-button, when opening the cock, does not result in untightening of the gland (no risk of tank drainage).



Body stainless steel



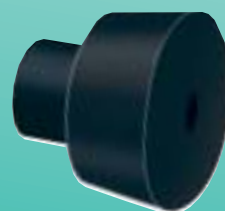
Membrane silicone (EPDM) (nitrile) (viton)



Pusher delrin (stainless steel)



Gland stainless steel



Rotary hand-button delrin - (stainless steel)

Pusher seal EPDM



Tél. : 33 (0)1 34 30 28 80 • Fax : 33 (0)1 34 30 28 90

BP 7728 - Z.I. VERT GALANT - 7, RUE DE LA GUIVERNONE - 95046 ST OUEEN L'AUMÔNE CEDEX (FRANCE)

# connections

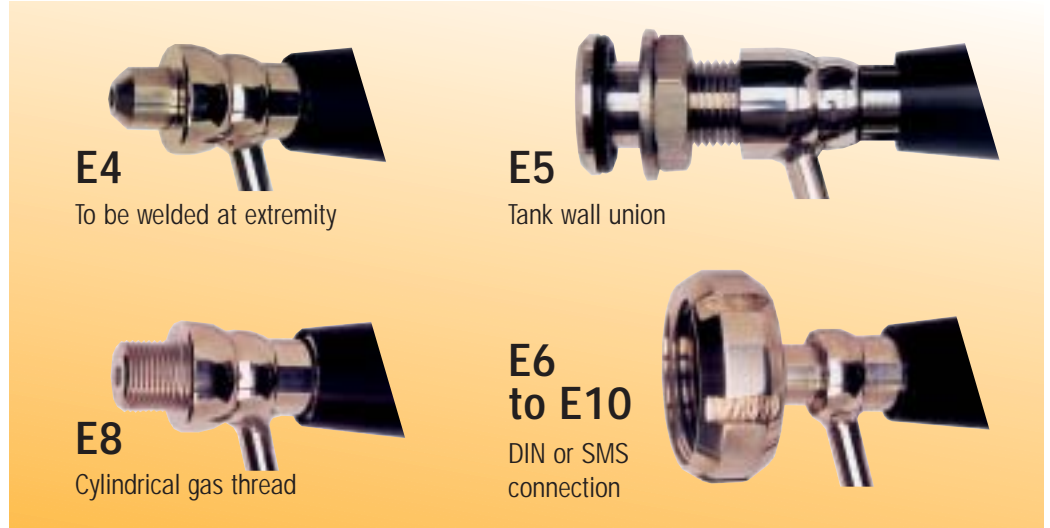
## Sample inlet (E) :

See technical data sheet

### E1 to E3 : Flush membrane



### E4 to E10 : Non-flush membrane



## Models to be welded on piping :

**REC** or **RES** welded on machined tube, membrane perfectly flush inside piping (inlet E2 V (vertical pipe) or E2 H (horizontal pipe)). (Fitting on piping of all diameters ND6 to ND200).





# automation

## Sample outlet (S)

See technical data sheet

Also valid for  
Sterilizing agent input (N)

**S1**

Tube nozzle



**S2**

Gas threaded



**S3**

DIN thread  
(ND10 or ND15)



**S4**

Splined end or Staubli  
fast-release coupling



**S7**

Heat  
insulation  
recess fitting



## Pneumatic actuators

for REC or RES, ND6, ND10 and ND15.

Simple to automatize on site by replacing the manual rotary hand-button by an actuator.

**Actuator normally closed (NF)**

Ref. REA\_Ø\_NF



**Actuator normally open (NO)**

Ref. : REA\_Ø\_NO



**Mixed control actuator**

Manual : sampling.  
Automatic : cycled opening  
during line cleaning.

Ref. REA\_Ø\_CM



**Actuator normally closed with "closed" limit stop contact.**

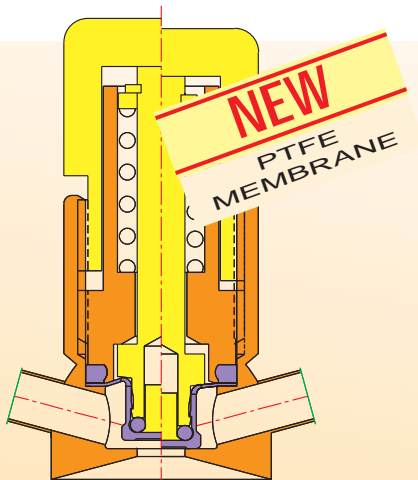
Ref. : REA\_Ø\_DT





# Derivated concepts

Ask for technical data sheets which correspond to each product.



## REV & REW

(all rights of use reserved)

### PTFE flush membrane

sampling cock (chemically resistant)

REV: flame sterilizable.

REW: sterilizing agent input.



## REM

Syringe sampling membrane support.



## LAP

Automatic and autonomical gas purging device (electrical supply 24V or 220V). (Assembly on air separator, optional).



## Sealing of rotary hand-button

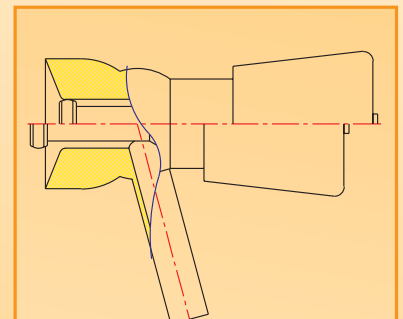
for REC or RES

Ref.: REC MAJ PL Ø



## RER

Sampling cock with manual or automatic rinsing system (for viscous or solidifying products).



## REP & REQ

Sampling cock normally closed, with pusher:

Push: open

Release: automatically closed



## RED

Volumetric sample dosing device with automatic cycle.

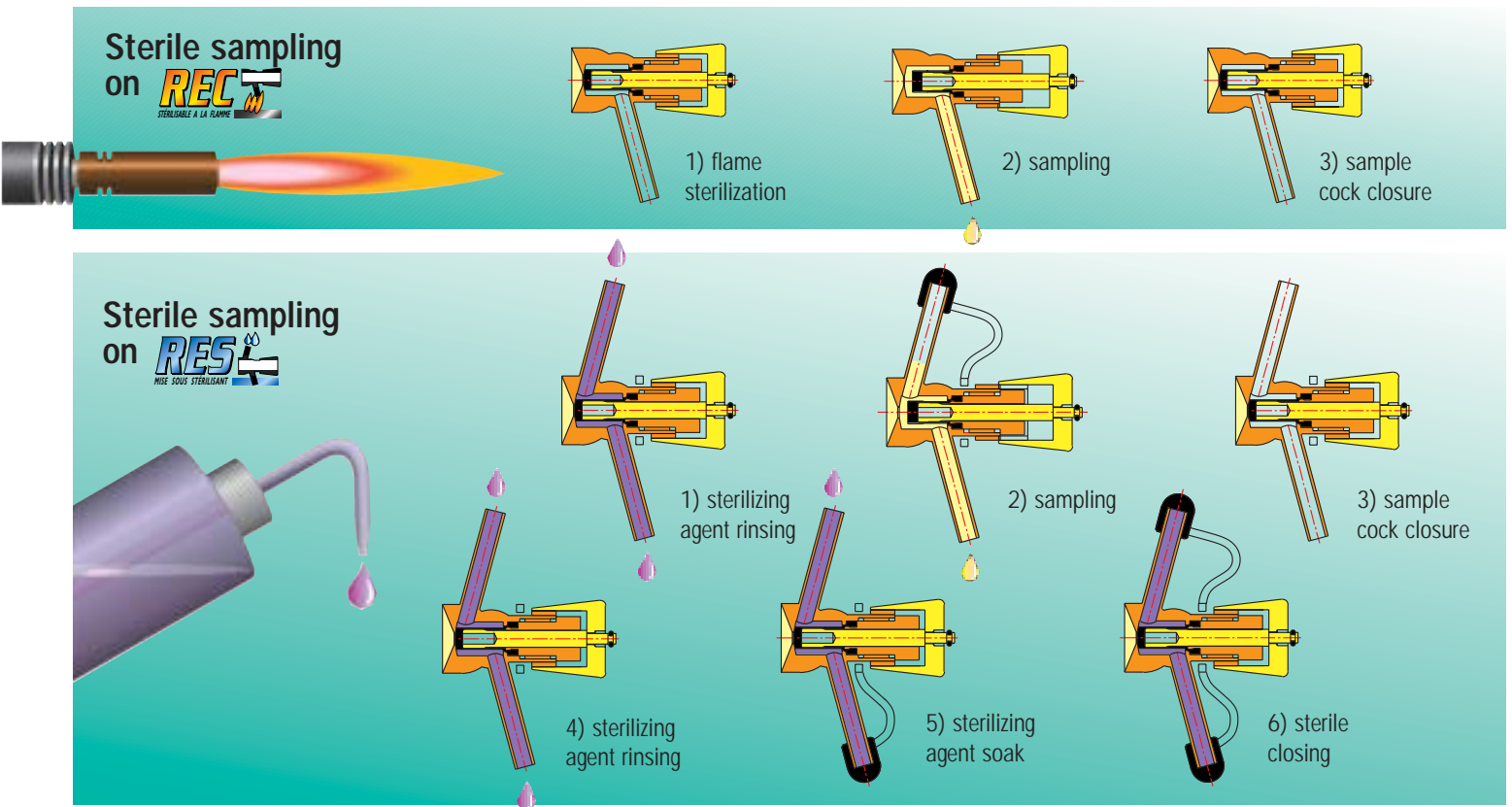
Sampling volume and frequency adjustable according to the tank volume.



Tél. : 33 (0)1 34 30 28 80 • Fax : 33 (0)1 34 30 28 90

BP 7728 - Z.I. VERT GALANT - 7, RUE DE LA GUIVERNONE - 95046 ST OUEN L'AUMÔNE CEDEX (FRANCE)

# REC and RES sampling procedure



## REC or RES various model references

Personally select the reference of the product to be ordered, from the table below:

All REC or RES products					
Type selection	Nominal diameter	Inlet connection (hole: E)	RES option Sterilizing agent input connection (hole: N)	Outlet connection (hole: S)	Membrane quality
REC	6	E1	same as (E) N1 (standard)	S1 (standard)	S (silicone)
RES		E2V/E2H		S2	E (EPDM)
REV	10	E3	N3	S3 (Ø ≥ 10)	V (viton)
REW		E4	N4	S4	P (nitrile)
REP	15	E5	N5	S6 (Ø ≥ 10)	C (natural rubber)
REQ		E6	N6		S7
		E7	N7		
		E8	N8		
<b>RES</b>	<b>15</b>	<b>E6</b>	<b>N1</b>	<b>S4</b>	<b>V</b> <b>Example</b>

\* Exclusively for REV and REW.

## Some references

Applixion	Laboratoires L. Lafon	Reckitt & Colman
Aventis	Laboratoires Macors	Régilec
Beguïn Say	Laboratoires Parke Davis	Roquette
Boehringer Ingelheim	Laboratoires UPSA	Sanofi
Candia	L'oréal	Schweppes
Chambourcy	Nestlé	SIAS France
Coca Cola	Pasteur Mérieux	Smithkline Beecham
Colgate Palmolive	Permo	Sodiaal
Danone	Pernod Ricard	Tech Sep
Elida Fabergé	Procter & Gamble	V.M.I. Rayneri
Evian	Produits Roche	Volvic
Heineken	Raison	Yoplait

